

"ANOVA" High Wind Load System



Project: Cal State San Bernardino Extended Learning Expansion

i The High Wind Load System is best suited for exterior applications and where there may be high wind load requirements. We incorporate a 1/4 turn cam lock with torsion springs. This system maintains it's 100% accessibility feature. With this system we use a Extruded Aluminum Tee 2" x 2" x 1/8" thick and a 1" x 1" x 1/8" Extruded Angle for heavy load requirements. We also offer a structural review and stamp with our drawings when needed.

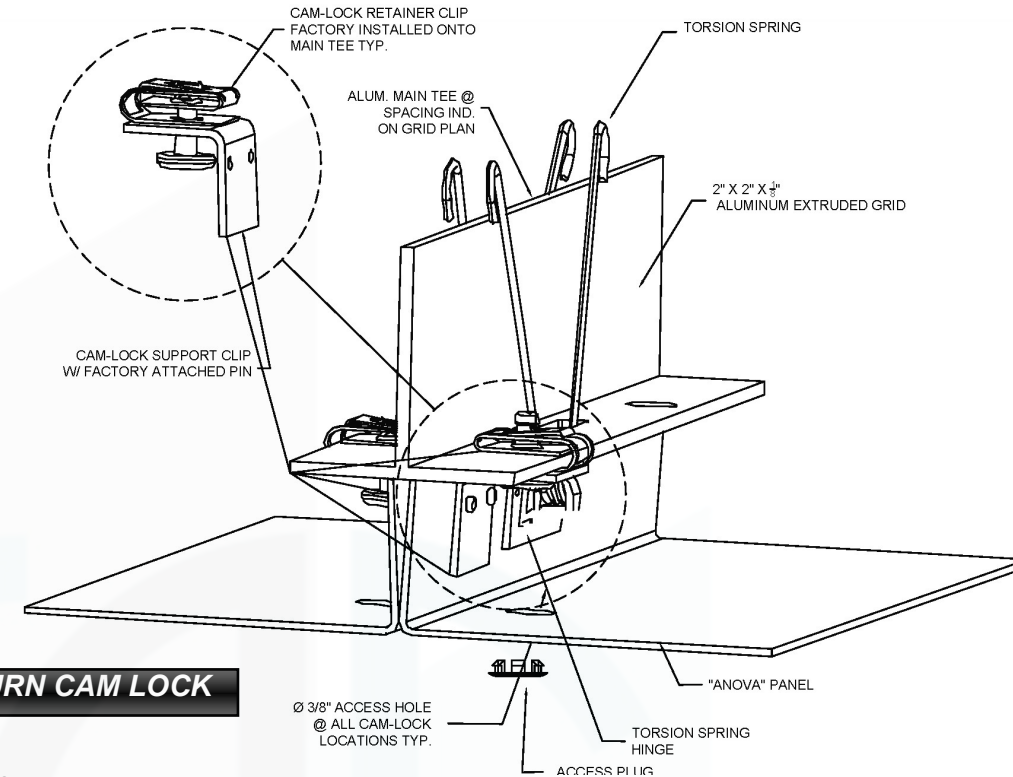
Information



Standard Panel Sizes	2' x 2'	2' x 4'	2'-6" x 2'-6"	42" x 48"
Custom Sizes Available	Yes	Consult Factory		
System Accessibility	Yes	All panels hinge without removal for access		
Acoustical	Yes	Perforation and Poly Bagged Insulation		
Material	Aluminum	.063" Thick Recommended		
Suspension	Extra Heavy Duty	2"x 2" x 1/8" Aluminum Extrusion/ Pre Slotted & Punched		



HIGH WIND LOAD



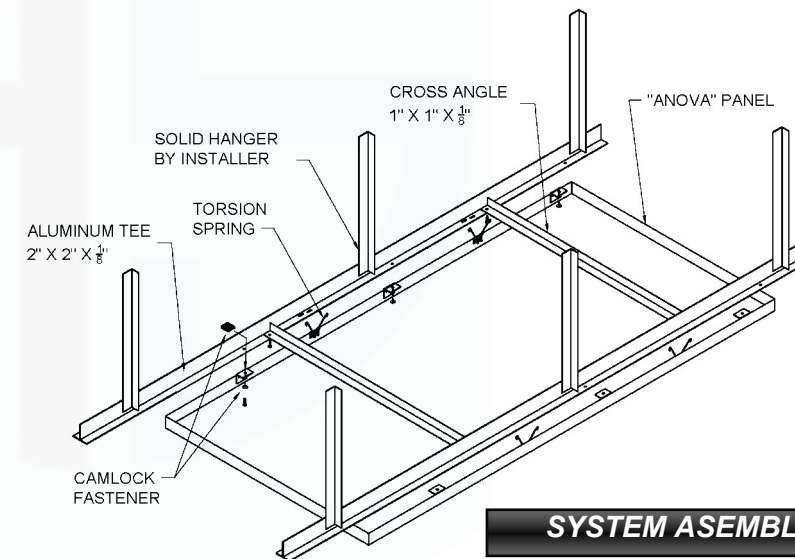
1/4 TURN CAM LOCK



Office- 909-947-3287
Cell- 626-393-1209



brianking@innovative-as.net



SYSTEM ASSEMBLY



A wide variety of perforations are available. We have a pattern solution for aesthetics and acoustics

Perforation



"ANOVA" system is produced to meet ASTM 635 / ASTM 636
ASTM E84 / ASTM C423

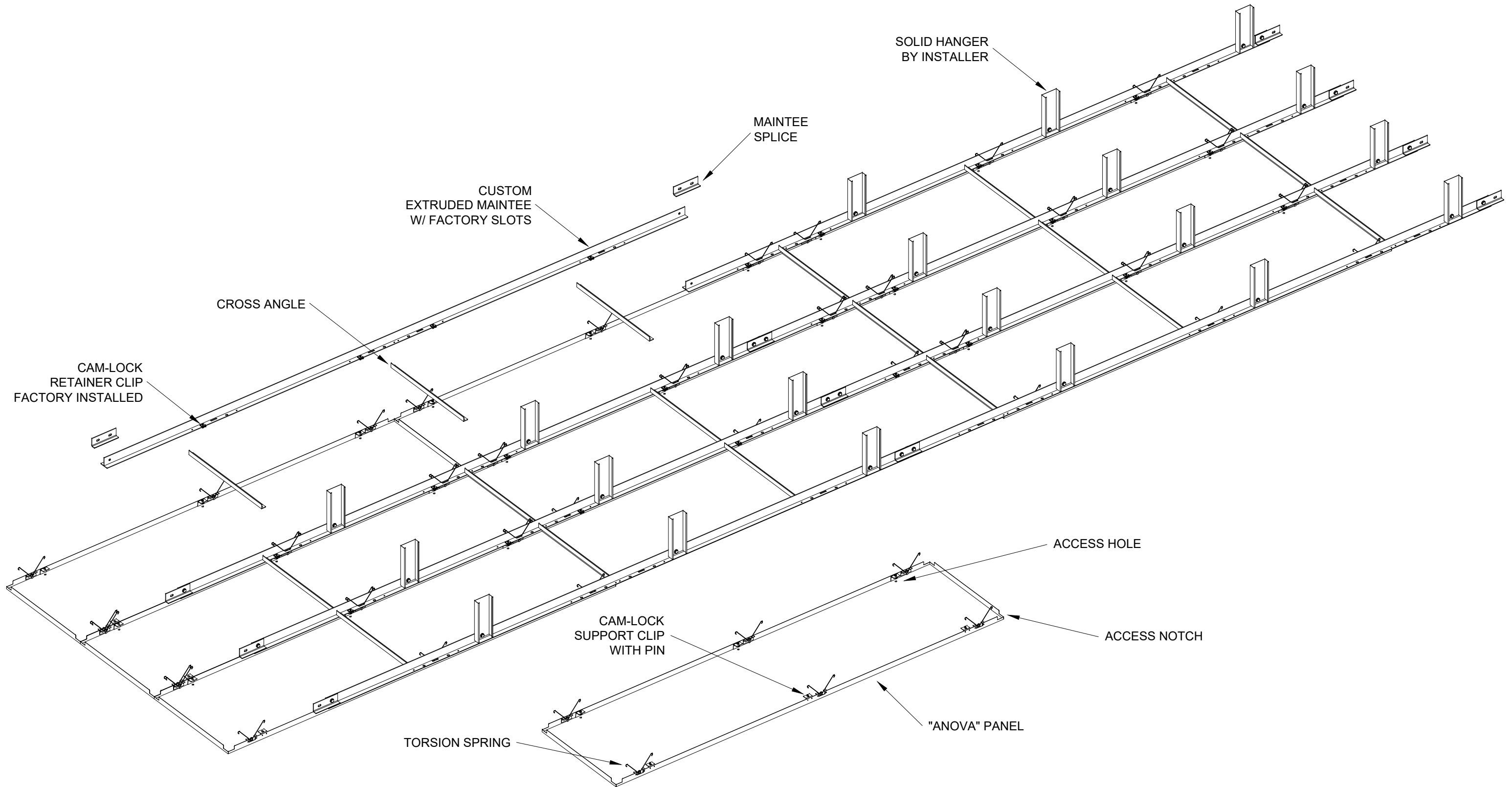


Green Building



DURABLE

Panels are non-corrosive and can handle almost any condition. They are maintenance and access friendly and will last a very long time.



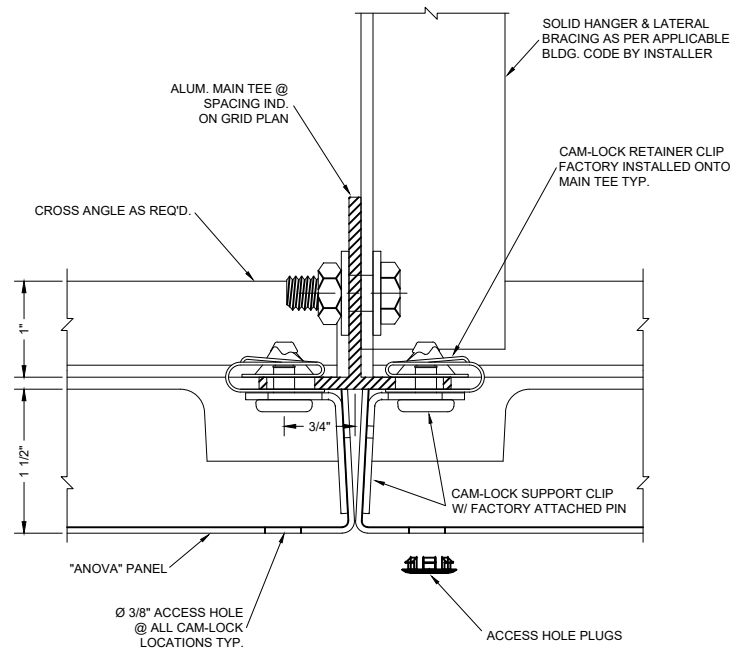
1110 E. LOCUST ST.
ONTARIO, CA 91761
OFFICE: 909-947-3287
CELL: 626-393-1209
EMAIL: BRIANKING@INNOVATIVE-AS.NET

"ANOVA" HIGH WIND LOAD SYSTEM
MATERIAL : .040" / .063" ALUMINUM
FINISH : PAINT / WOOD / ANODIZED
PERFORATED / NON-PERFORATED

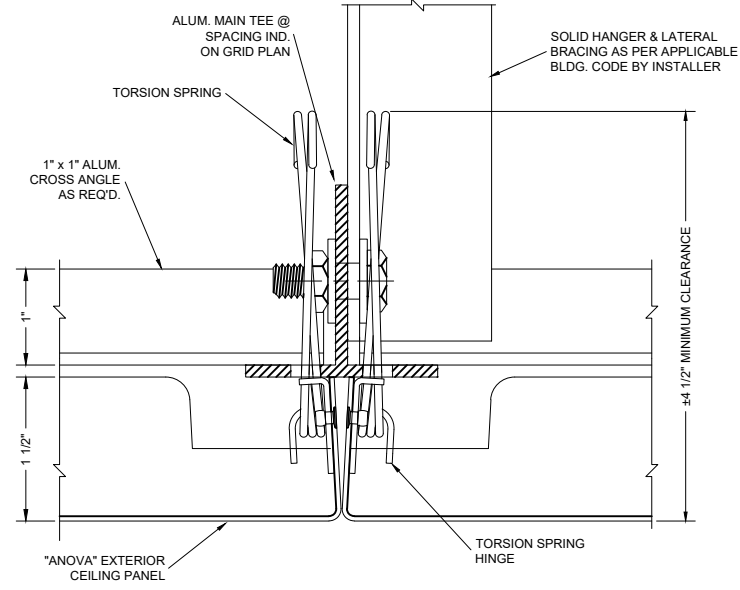
"ANOVA" HIGH WIND LOAD ISOMETRIC VIEW

DRAWING NUMBER : A-HW-1
SCALE : N T S

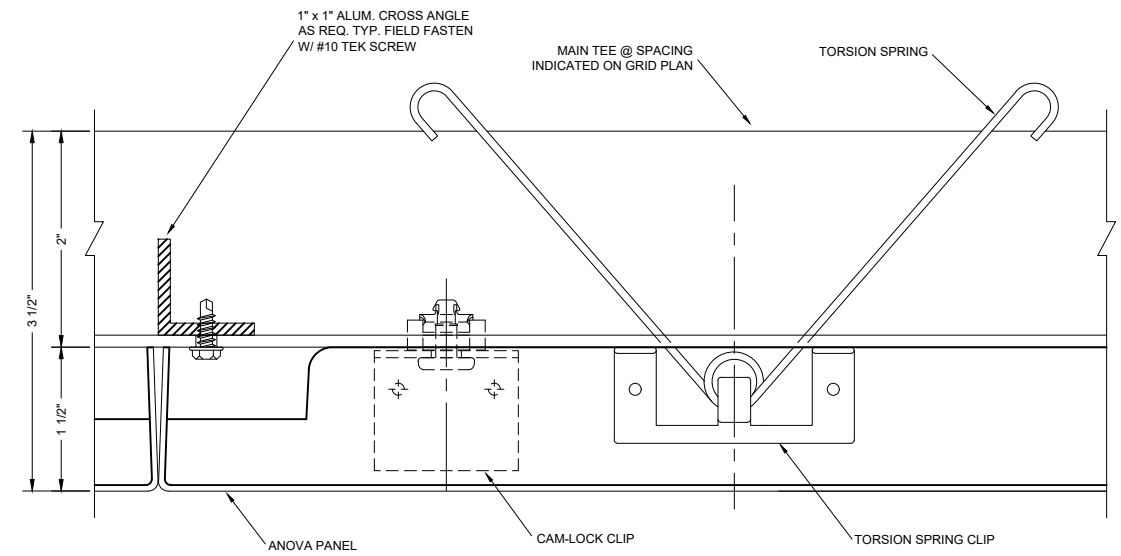
THESE DRAWINGS ARE THE PROPERTY OF I.A.S. AND ARE NOT TO BE COPIED OR TRANSMITTED WITHOUT PRIOR WRITTEN CONSENT OF I.A.S. ANY UNAUTHORIZED REPRODUCTION OR USE OF DESIGN INTENT AS ILLUSTRATED IS PROHIBITED WITHOUT THE EXPRESS WRITTEN CONSENT OF I.A.S.



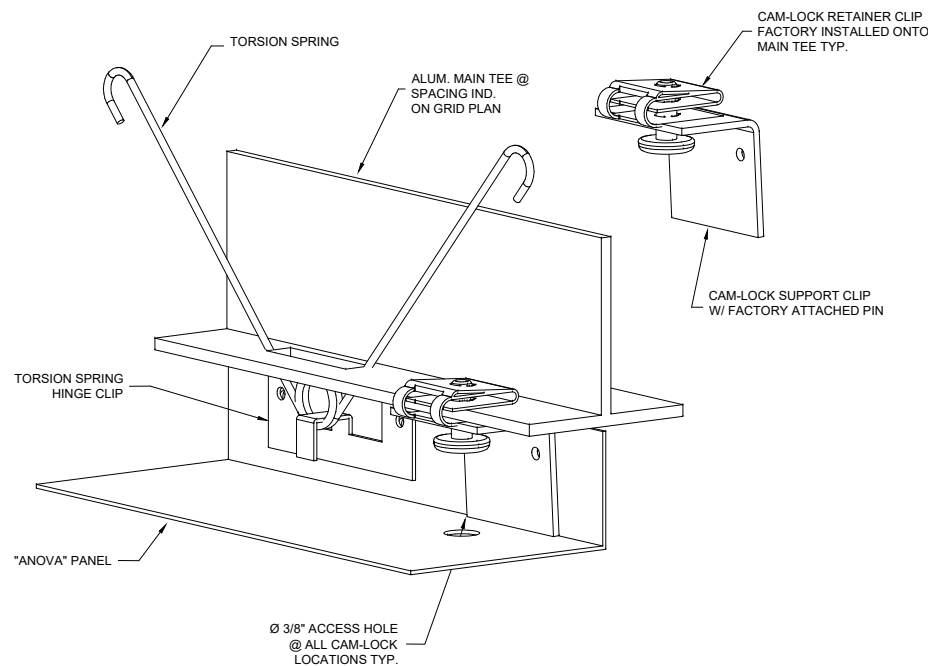
1 "ANOVA" JOINT DETAIL @ CAM-LOCK
SCALE: HALF SIZE



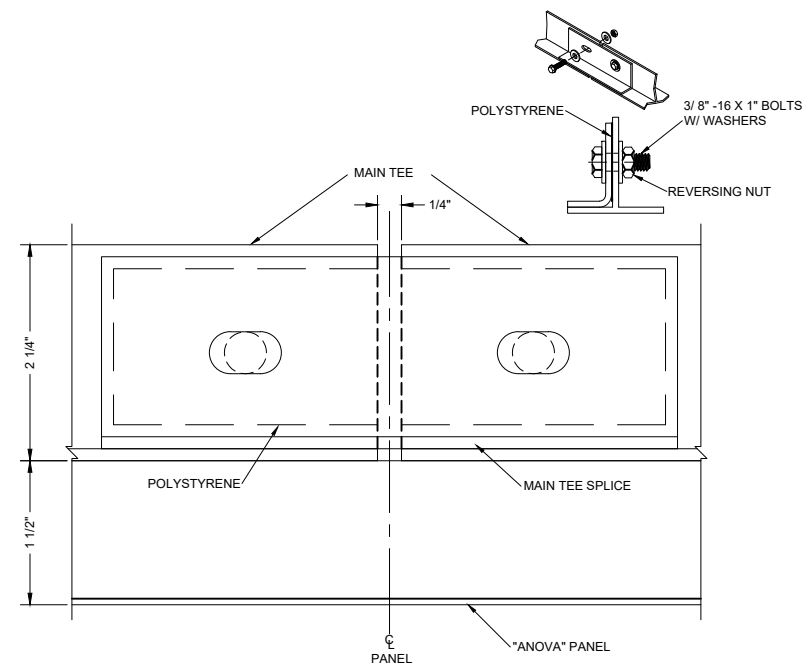
2 "ANOVA" JOINT DETAIL @ SPRING
SCALE: HALF SIZE



3 "ANOVA" PANEL JOINT DETAIL
SCALE: HALF SIZE



4 CAM-LOCK CLIPS ISOMETRIC
SCALE: HALF SIZE



5 DETAIL @ MAINTEE SPLICE
SCALE: HALF SIZE

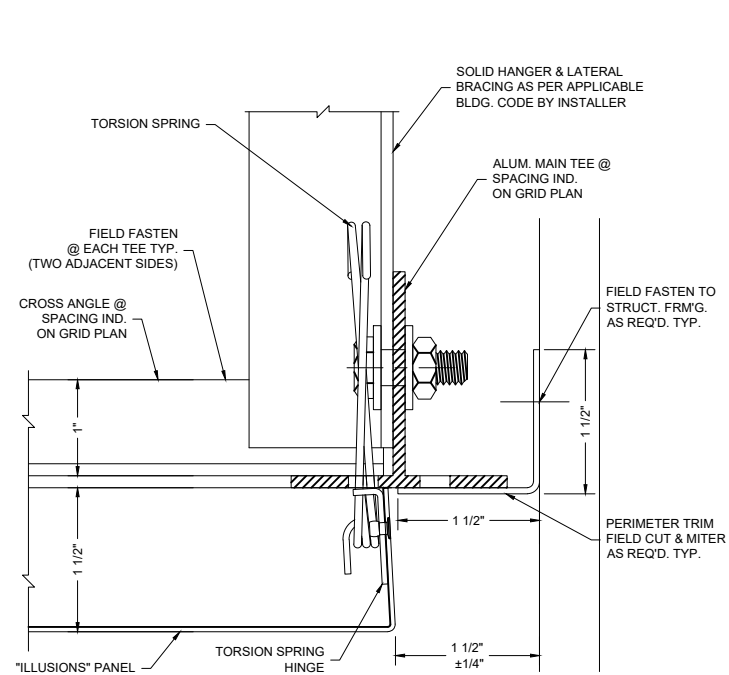


1110 E. LOCUST ST.
ONTARIO, CA 91761
OFFICE: 909-947-3287
CELL: 626-393-1209
EMAIL: BRIANKING@INNOVATIVE-AS.NET

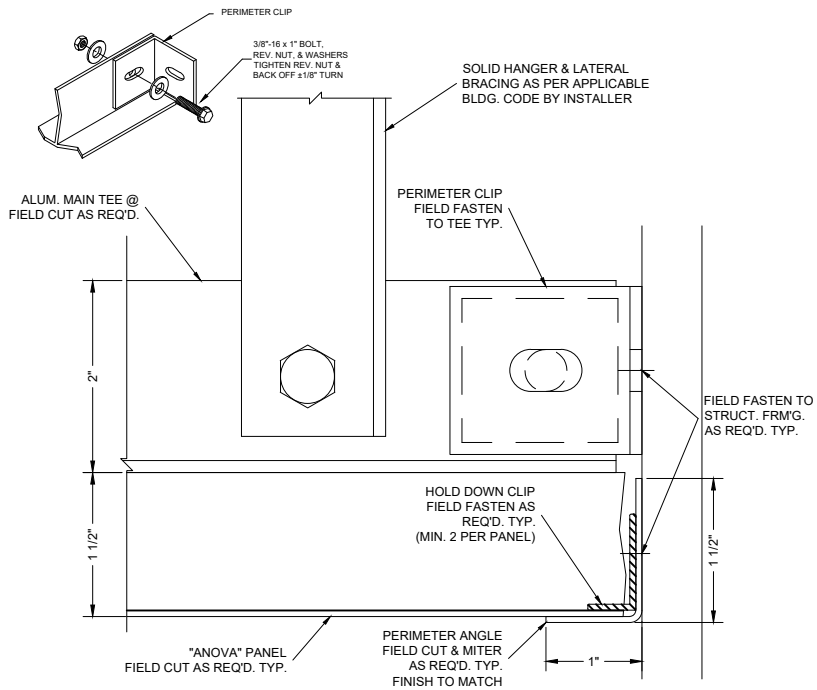
"ANOVA" HIGH WIND LOAD SYSTEM
MATERIAL : .040" / .063" ALUMINUM
FINISH : PAINT / WOOD / ANODIZED
PERFORATED / NON-PERFORATED

"ANOVA" HIGH WIND LOAD DETAILS I
DRAWING NUMBER : A-HW-2
SCALE : HALF SIZE

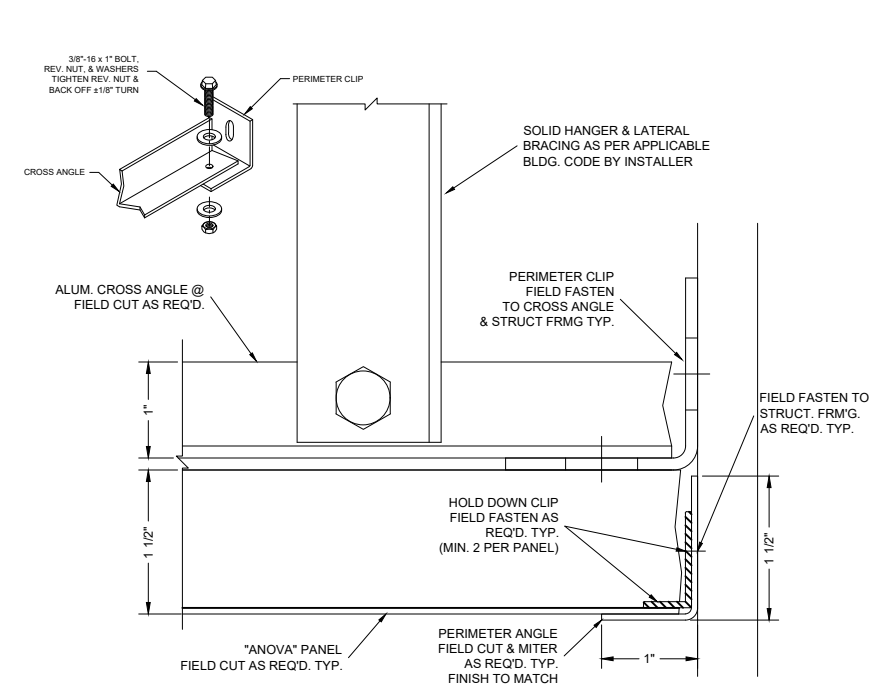
THESE DRAWINGS ARE THE PROPERTY OF I.A.S. AND ARE NOT TO BE COPIED OR TRANSMITTED WITHOUT PRIOR WRITTEN CONSENT OF I.A.S. ANY UNAUTHORIZED REPRODUCTION OR USE OF DESIGN INTENT AS ILLUSTRATED IS PROHIBITED WITHOUT THE EXPRESS WRITTEN CONSENT OF I.A.S.



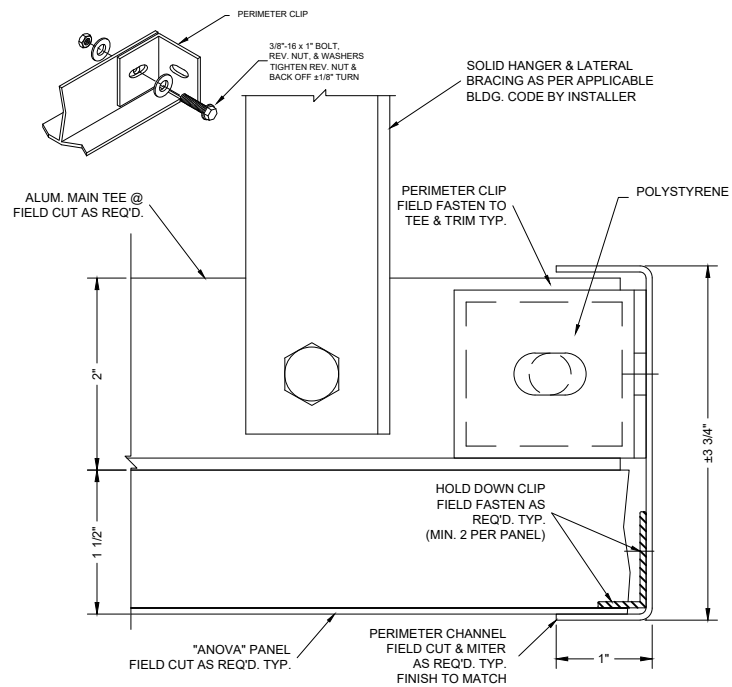
1 "ANOVA" PERIMETER DETAIL
SCALE: HALF SIZE



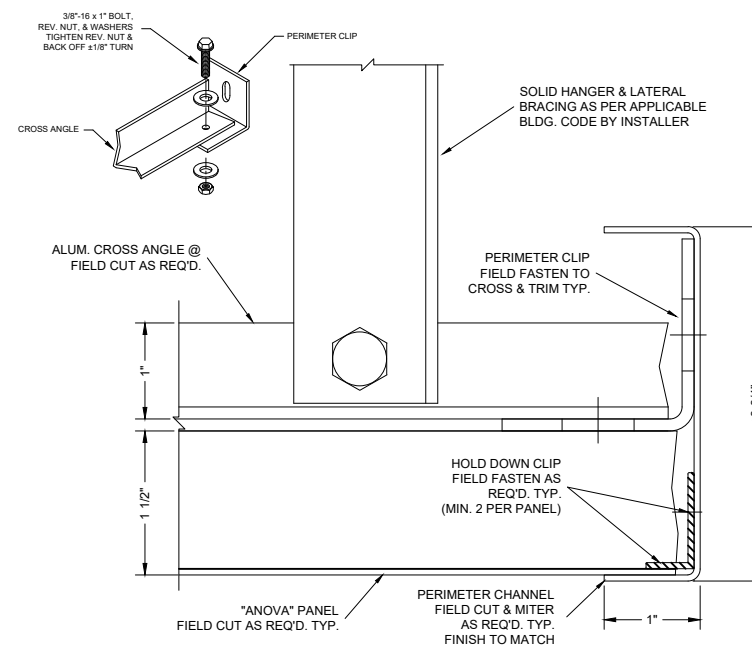
2 "ANOVA" PERIMETER DETAIL
SCALE: HALF SIZE



3 "ANOVA" PERIMETER DETAIL
SCALE: HALF SIZE



4 "ANOVA" PERIMETER DETAIL
SCALE: HALF SIZE



5 "ANOVA" PERIMETER DETAIL
SCALE: HALF SIZE



1110 E. LOCUST ST.
ONTARIO, CA 91761
OFFICE: 909-947-3287
CELL: 626-393-1209
EMAIL: BRIANKING@INNOVATIVE-AS.NET

"ANOVA" HIGH WIND LOAD SYSTEM
MATERIAL : .040" / .063" ALUMINUM
FINISH : PAINT / WOOD / ANODIZED
PERFORATED / NON-PERFORATED

"ANOVA" HIGH WIND LOAD DETAILS II
DRAWING NUMBER : A-HW-3
SCALE : HALF SIZE

THESE DRAWINGS ARE THE PROPERTY OF I.A.S. AND ARE NOT TO BE COPIED OR TRANSMITTED WITHOUT PRIOR WRITTEN CONSENT OF I.A.S. ANY UNAUTHORIZED REPRODUCTION OR USE OF DESIGN INTENT AS ILLUSTRATED IS PROHIBITED WITHOUT THE EXPRESS WRITTEN CONSENT OF I.A.S.