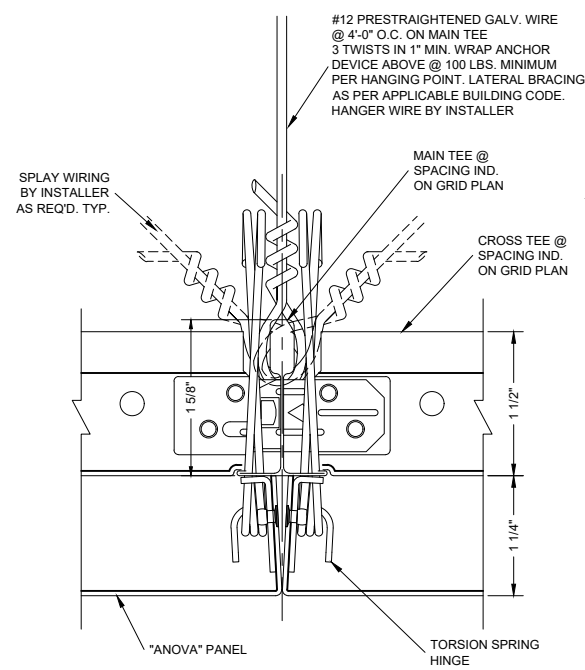


3227 PROGRESS CIRCLE
 JURUPA VALLEY, CA 91752
 CELL: 626-393-1209
 EMAIL: BRIANKING@INNOVATIVE-AS.NET

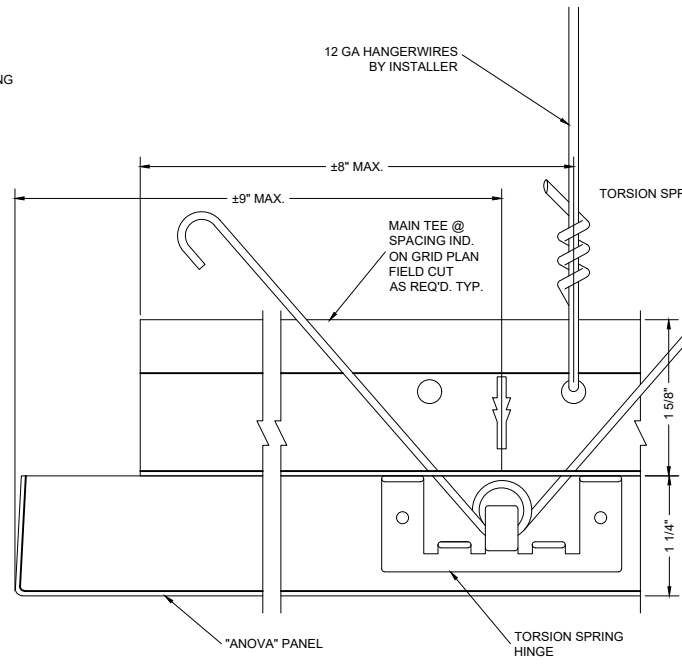
"ANOVA" HEAVY DUTY TORSION SPRING
 MATERIAL : .040" ALUMINUM
 FINISH : PAINT / WOOD / ANODIZED
 PERFORATED / NON-PERFORATED

"ANOVA" HEAVY DUTY ISOMETRIC VIEW
 DRAWING NUMBER : A-HD-1
 SCALE : N T S

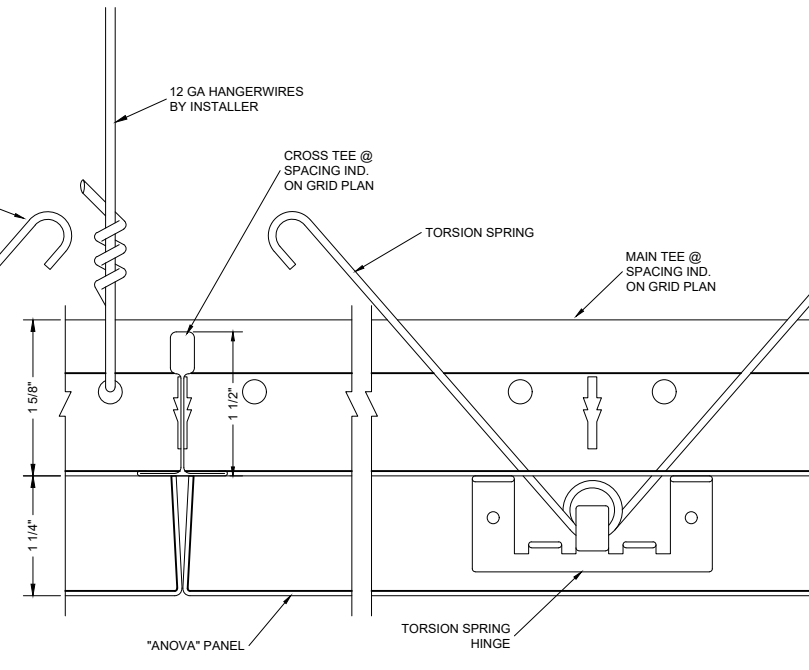
THESE DRAWINGS ARE THE PROPERTY OF I.A.S. AND ARE NOT TO BE COPIED OR TRANSMITTED WITHOUT PRIOR WRITTEN CONSENT OF I.A.S. ANY UNAUTHORIZED REPRODUCTION OR USE OF DESIGN INTENT AS ILLUSTRATED IS PROHIBITED WITHOUT THE EXPRESS WRITTEN CONSENT OF I.A.S.



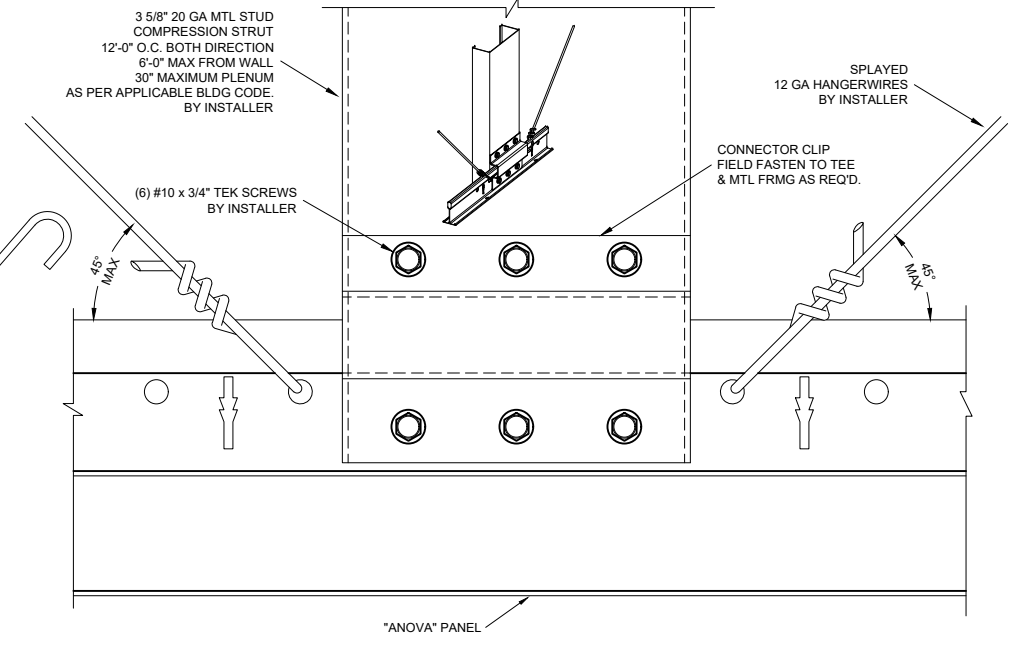
1 "ANOVA" PANEL JOINT DETAIL
SCALE: HALF SIZE



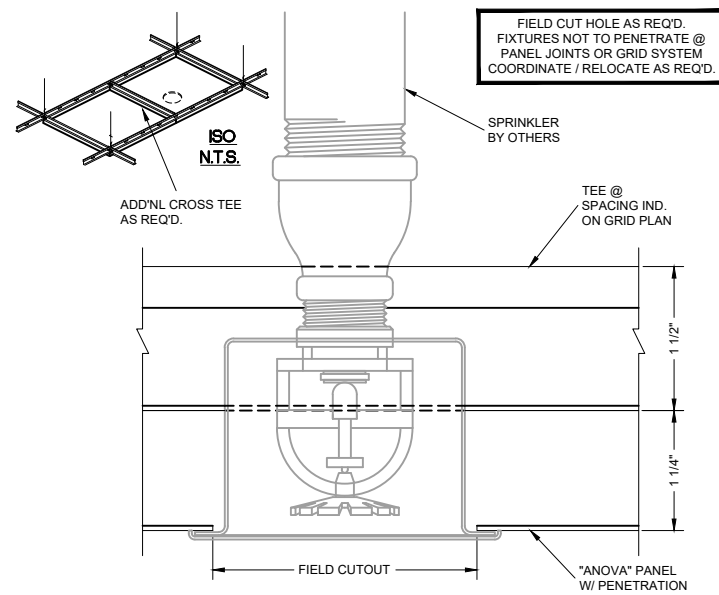
2 "ANOVA" PERIMETER DETAIL
SCALE: HALF SIZE



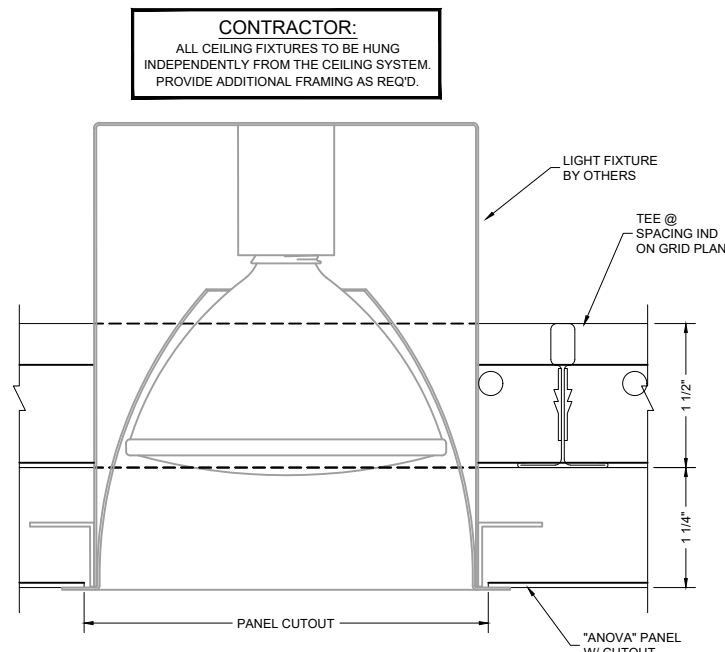
3 "ANOVA" PANEL JOINT DETAIL
SCALE: HALF SIZE



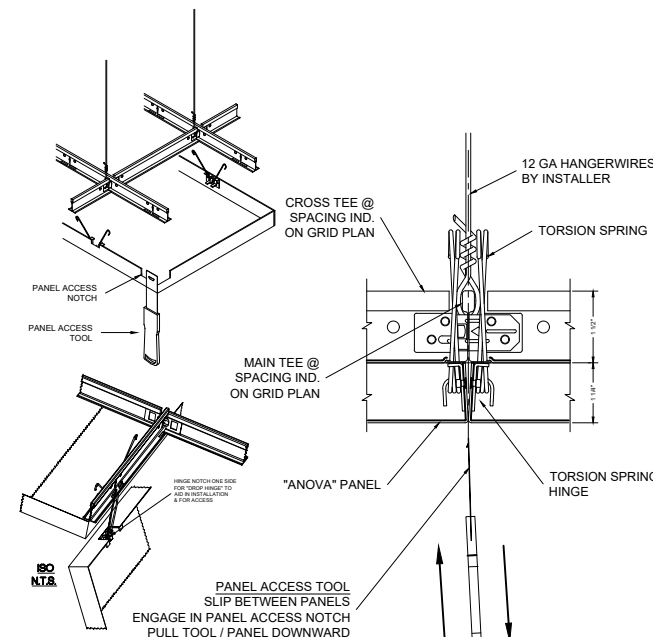
4 "ANOVA" DETAIL @ LATERAL BRACING
SCALE: HALF SIZE



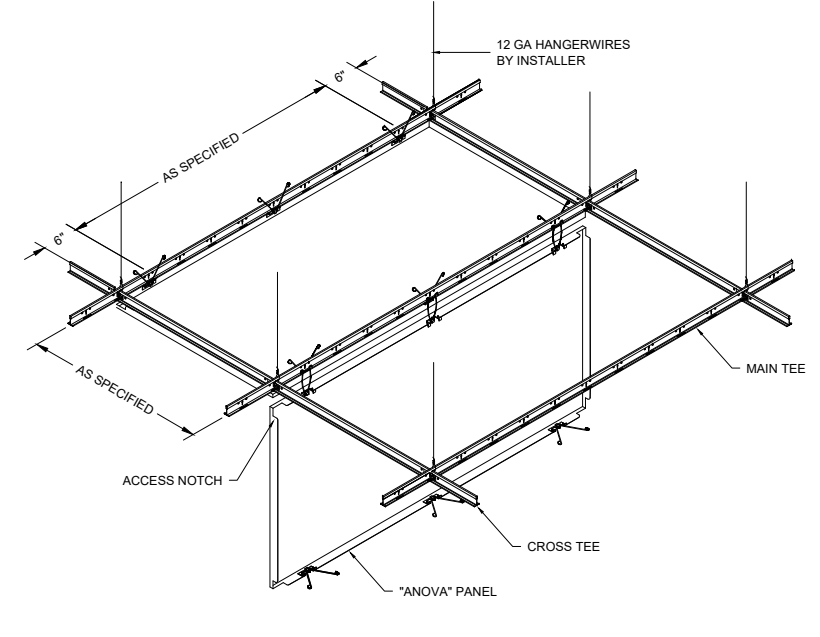
5 "ANOVA" DETAIL @ SPRINKLER
SCALE: N T S



6 "ANOVA" DETAIL @ DOWNLIGHTS
SCALE: N T S



7 "ANOVA" ACCESS / HINGE DETAIL
SCALE: N T S



8 "ANOVA" PANEL HINGE ISOMETRIC
SCALE: N T S

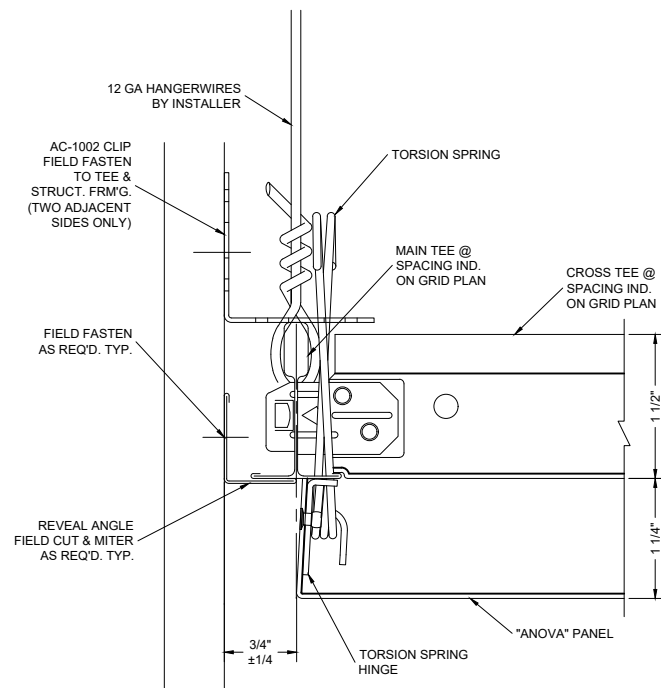


3227 PROGRESS CIRCLE
JURUPA VALLEY, CA 91752
CELL: 626-393-1209
EMAIL: BRIANKING@INNOVATIVE-AS.NET

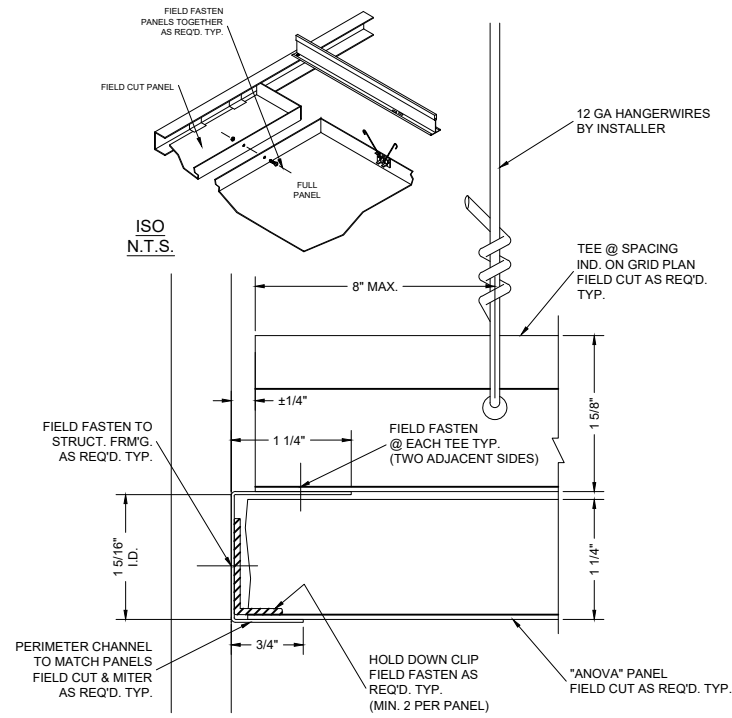
"ANOVA" HEAVY DUTY TORSION SPRING
MATERIAL : .040" ALUMINUM
FINISH : PAINT / WOOD / ANODIZED
PERFORATED / NON-PERFORATED

"ANOVA" HEAVY DUTY TYPICAL DETAILS I
DRAWING NUMBER : A-HD-2
SCALE : AS SHOWN

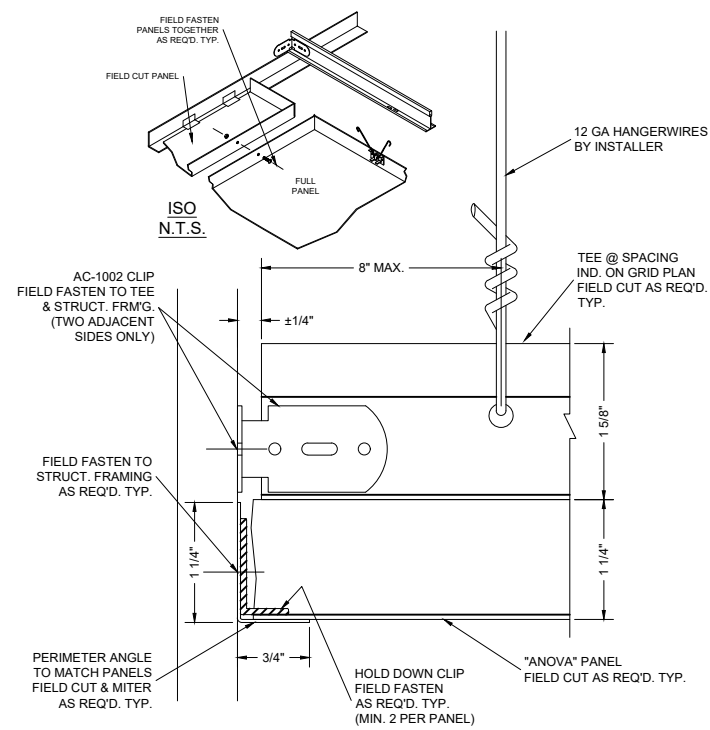
THESE DRAWINGS ARE THE PROPERTY OF I.A.S. AND ARE NOT TO BE COPIED OR TRANSMITTED WITHOUT PRIOR WRITTEN CONSENT OF I.A.S. ANY UNAUTHORIZED REPRODUCTION OR USE OF DESIGN INTENT AS ILLUSTRATED IS PROHIBITED WITHOUT THE EXPRESS WRITTEN CONSENT OF I.A.S.



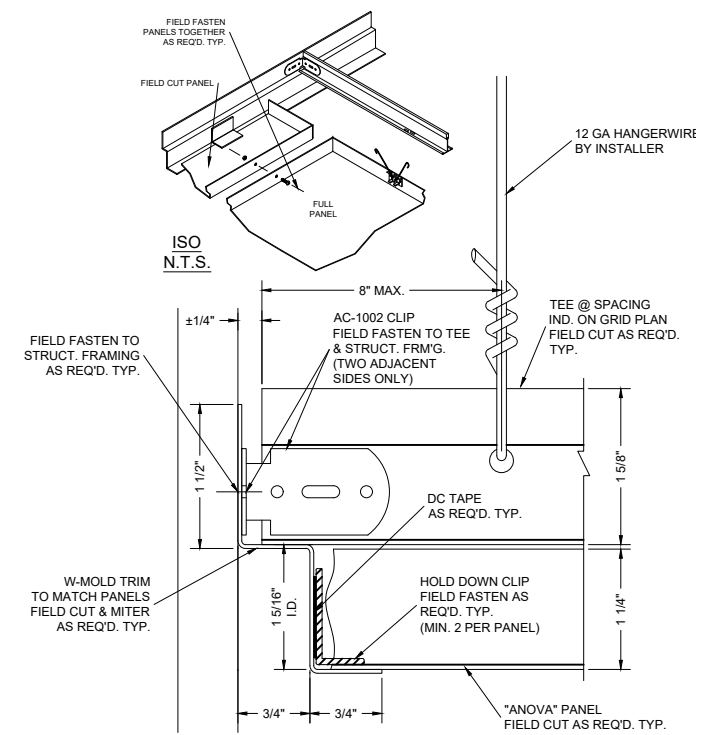
1 "ANOVA" PERIMETER DETAIL
SCALE: HALF SIZE



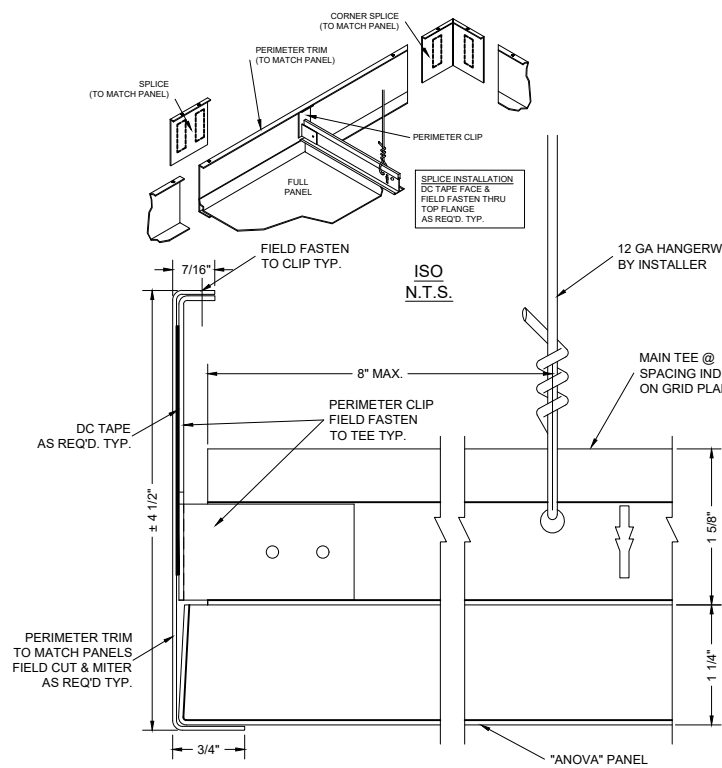
2 "ANOVA" PERIMETER DETAIL
SCALE: HALF SIZE



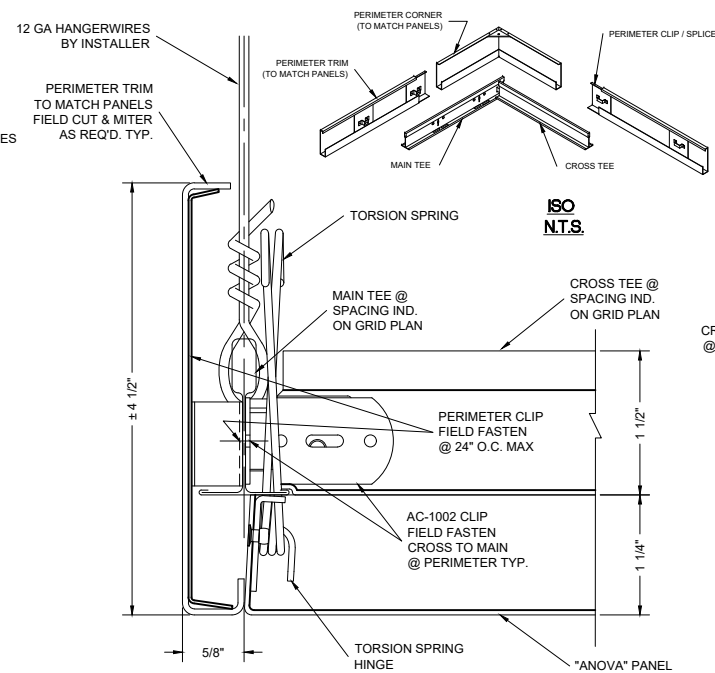
3 "ANOVA" PERIMETER DETAIL
SCALE: HALF SIZE



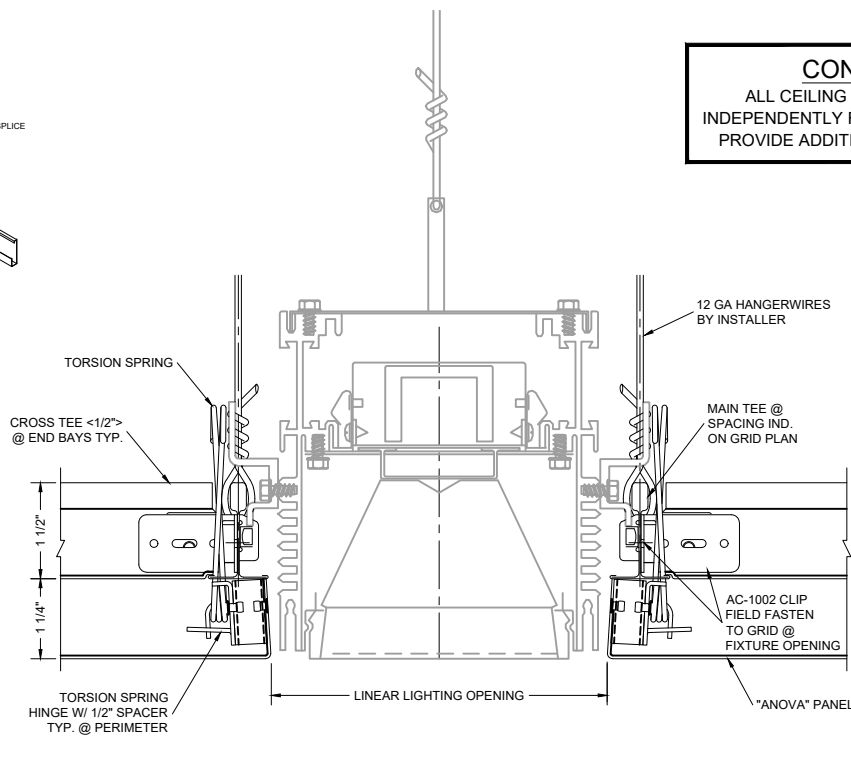
4 "ANOVA" PERIMETER DETAIL
SCALE: HALF SIZE



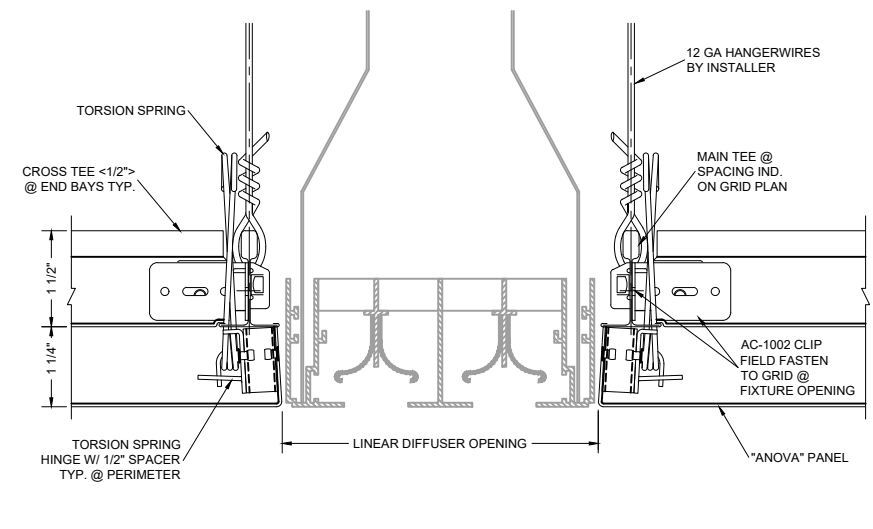
5 "ANOVA" PERIMETER DETAIL
SCALE: HALF SIZE



6 "ANOVA" PERIMETER DETAIL
SCALE: HALF SIZE



7 "ANOVA" LINEAR LIGHTING DETAIL
SCALE: 4" = 1'-0"



8 "ANOVA" LINEAR DIFFUSER DETAIL
SCALE: 4" = 1'-0"

CONTRACTOR:
ALL CEILING FIXTURES TO BE HUNG
INDEPENDENTLY FROM THE CEILING SYSTEM.
PROVIDE ADDITIONAL FRAMING AS REQ'D.



3227 PROGRESS CIRCLE
JURUPA VALLEY, CA 91752
CELL: 626-393-1209
EMAIL: BRIANKING@INNOVATIVE-AS.NET

"ANOVA" HEAVY DUTY TORSION SPRING
MATERIAL : .040" ALUMINUM
FINISH : PAINT / WOOD / ANODIZED
PERFORATED / NON-PERFORATED

"ANOVA" HEAVY DUTY TYPICAL DETAILS II
DRAWING NUMBER : A-HD-3
SCALE : AS SHOWN

THESE DRAWINGS ARE THE PROPERTY OF I.A.S. AND ARE NOT TO BE COPIED OR TRANSMITTED WITHOUT PRIOR WRITTEN CONSENT OF I.A.S. ANY UNAUTHORIZED REPRODUCTION OR USE OF DESIGN INTENT AS ILLUSTRATED IS PROHIBITED WITHOUT THE EXPRESS WRITTEN CONSENT OF I.A.S.